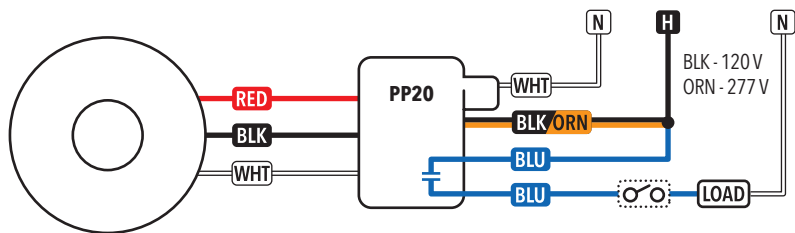


Power Packs

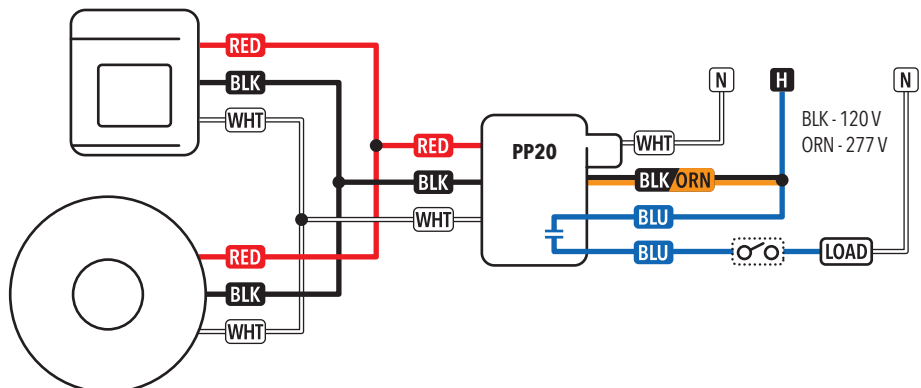
Wiring Diagrams



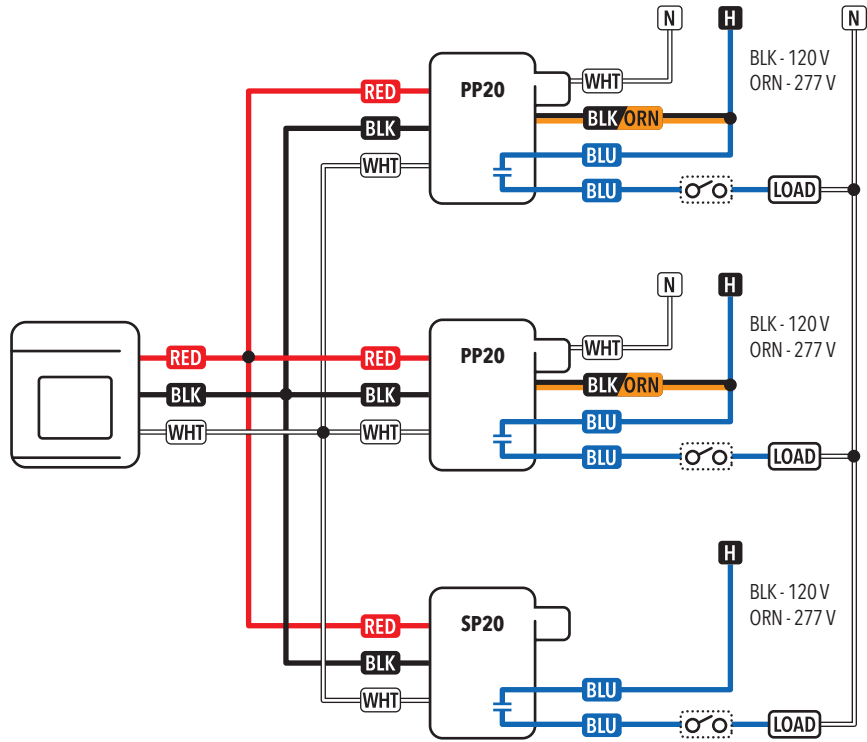
ONE SENSOR CONTROLLING ONE CIRCUIT



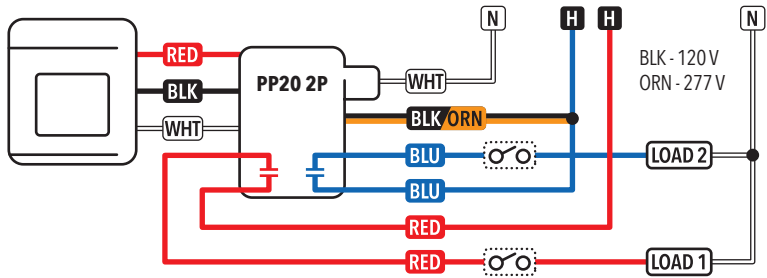
MULTIPLE SENSORS CONTROLLING ONE CIRCUIT



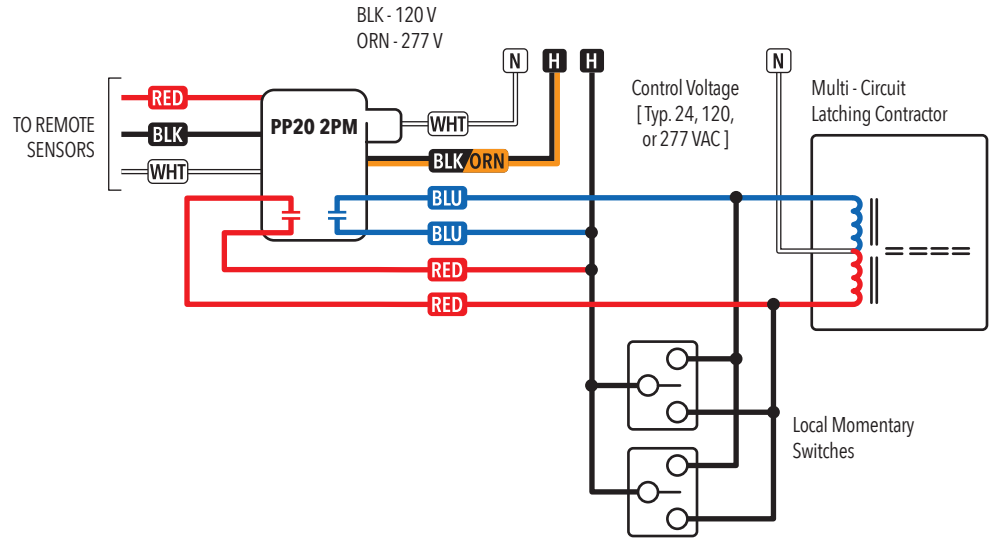
WIRING MULTIPLE POWER PACKS TOGETHER



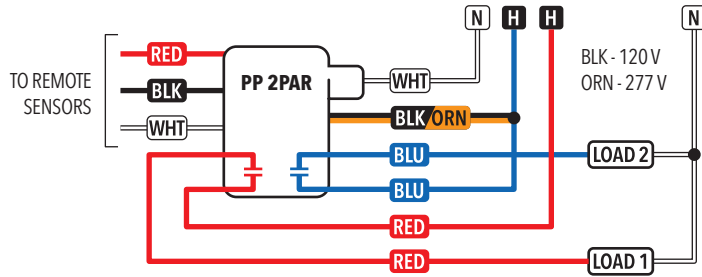
ONE SENSOR CONTROLLING TWO CIRCUITS



**MOMENTARY POWER
PACK (PP 2PM)**



**ALTERNATING OFF RELAY
POWER PACK (PP 2PAR)**



**PLUG LOAD CONTROL
USING POWER PACKS**

